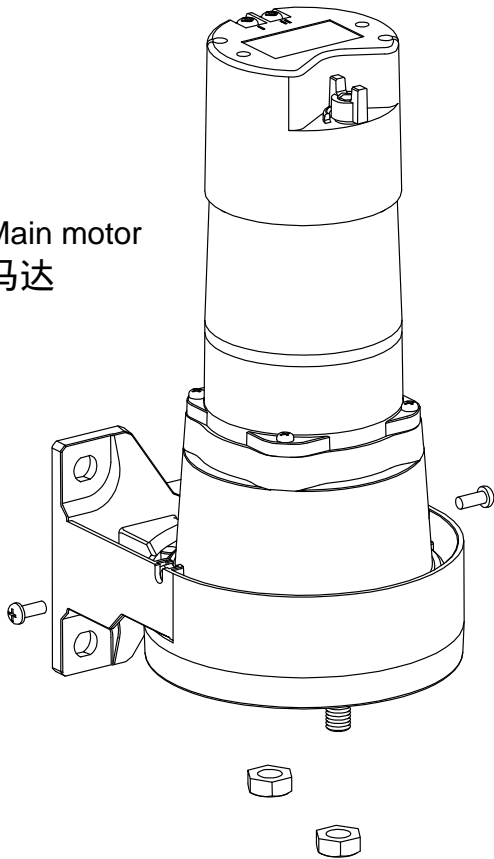


Digichraft[®]
Rotary Driver for Automatic Gate

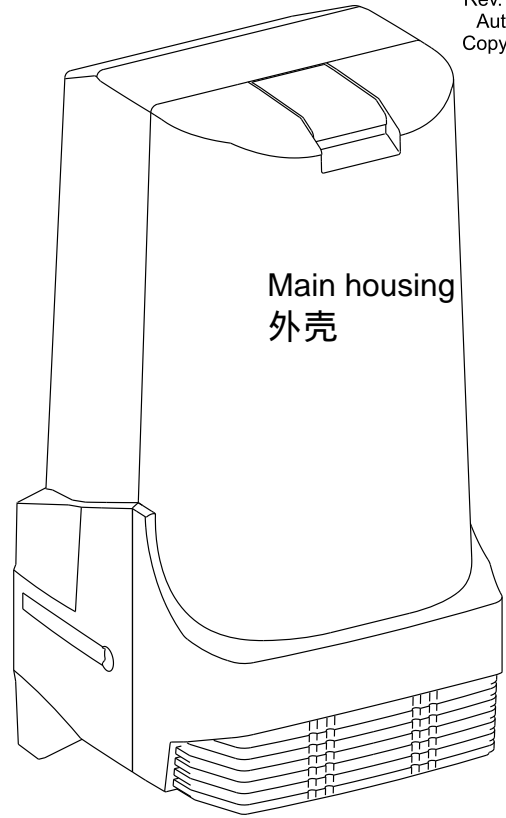
AN12 Instruction manual 指导书

Mechanical and Electrical installation
机械与电路的安装

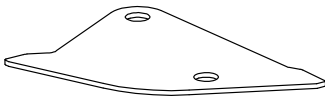
Main motor
马达



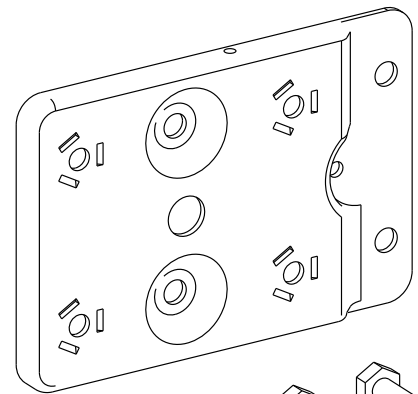
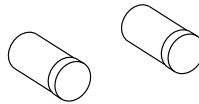
Main housing
外壳



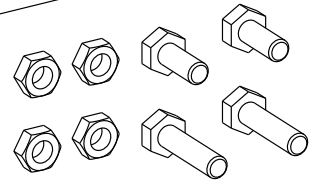
Stopper plate
制动片



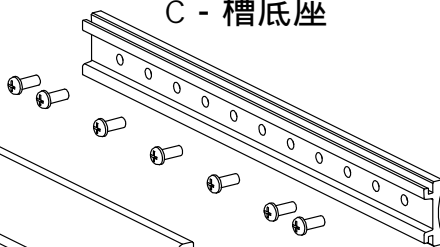
Stopper long bolt
制动螺母



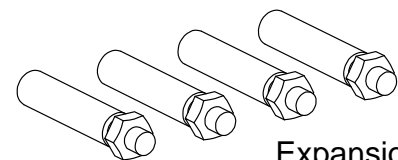
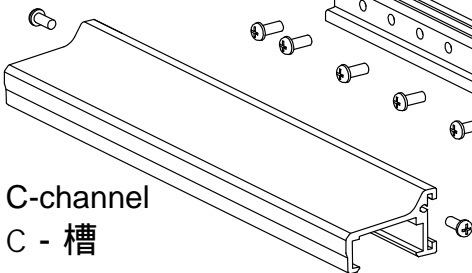
Wall bracket
墙壁托架



C-channel base
C - 槽底座



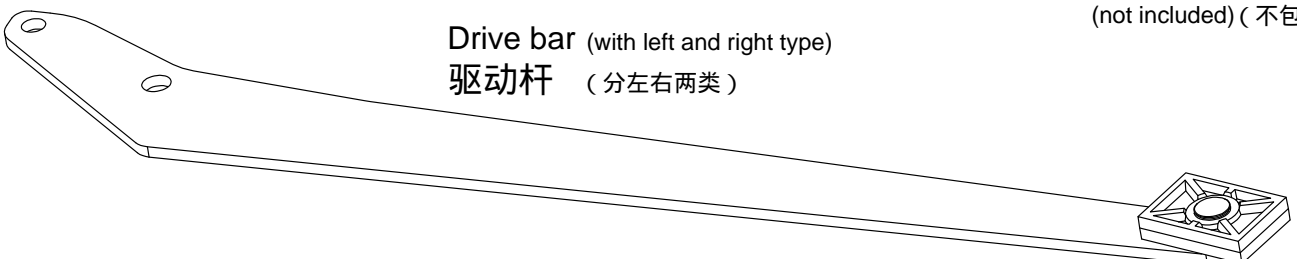
C-channel
C - 槽



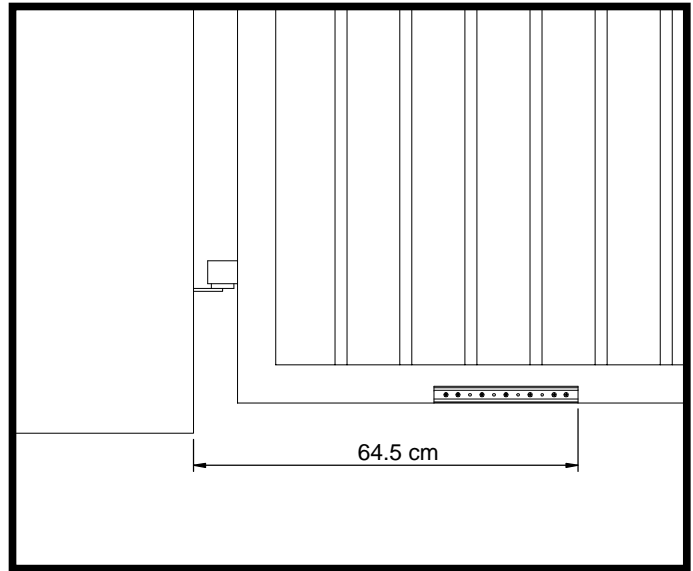
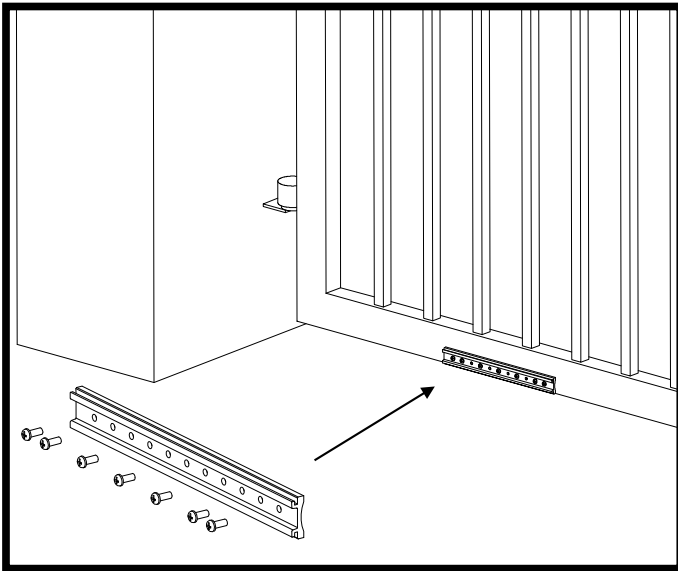
Expansion bolt
外张螺栓

(not included) (不包括)

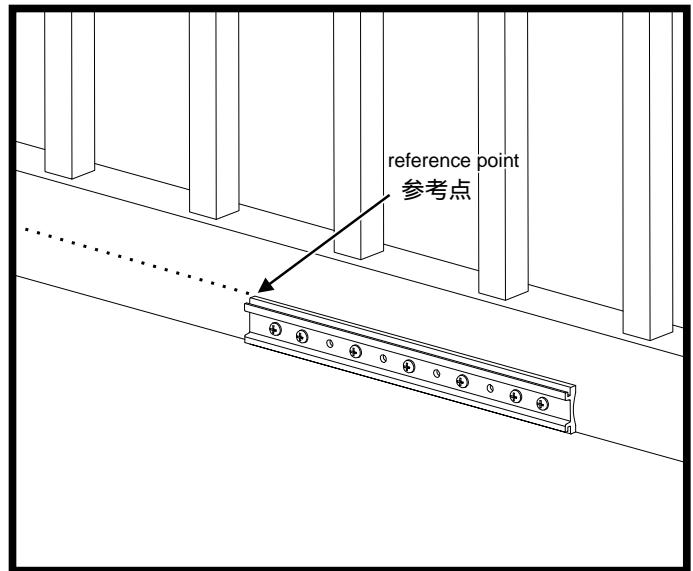
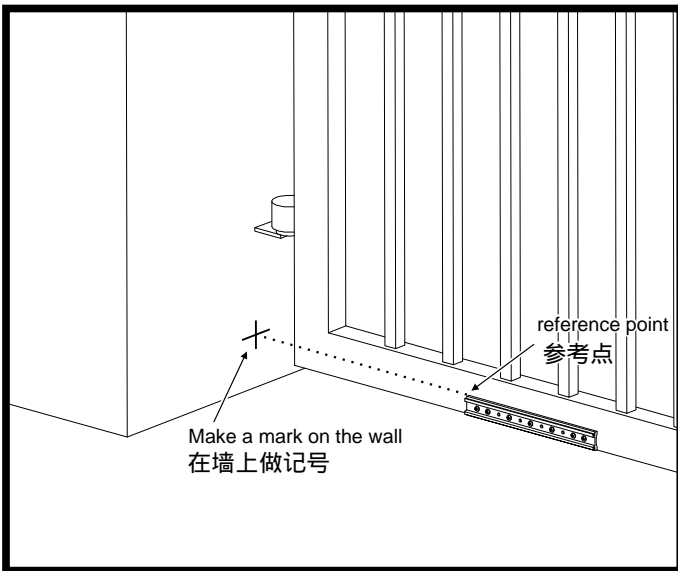
Drive bar (with left and right type)
驱动杆 (分左右两类)



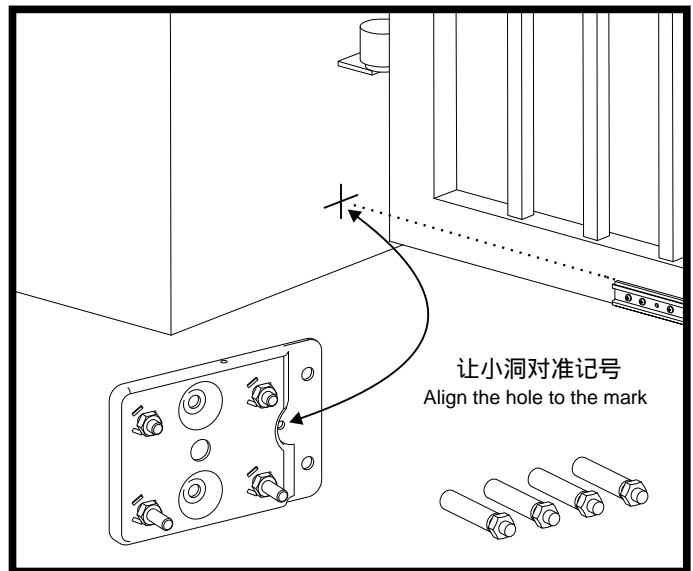
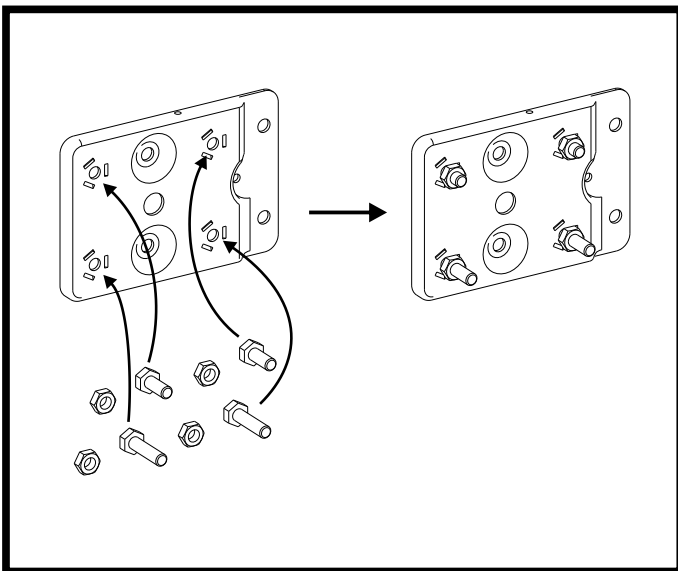
1 Install the C-channel base 安装 C-槽 底座



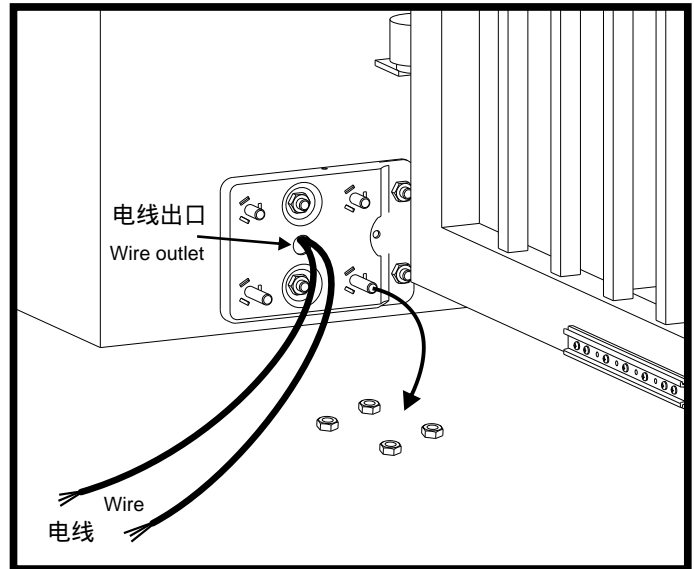
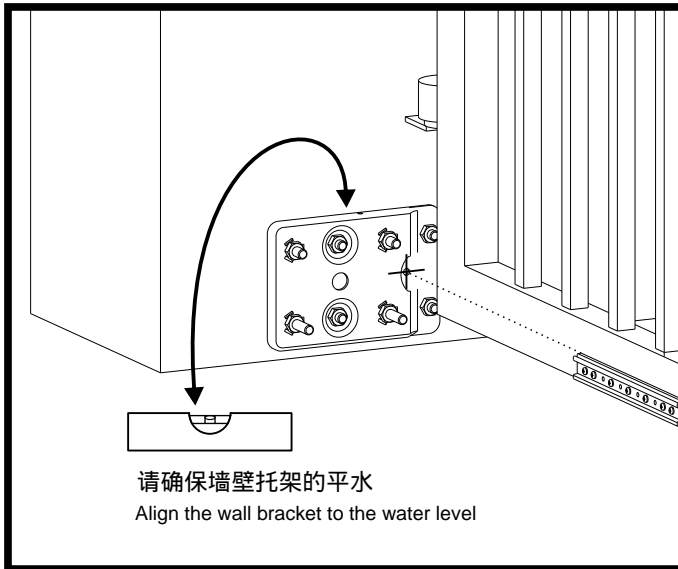
2 Make a mark on the wall 在墙上做记号



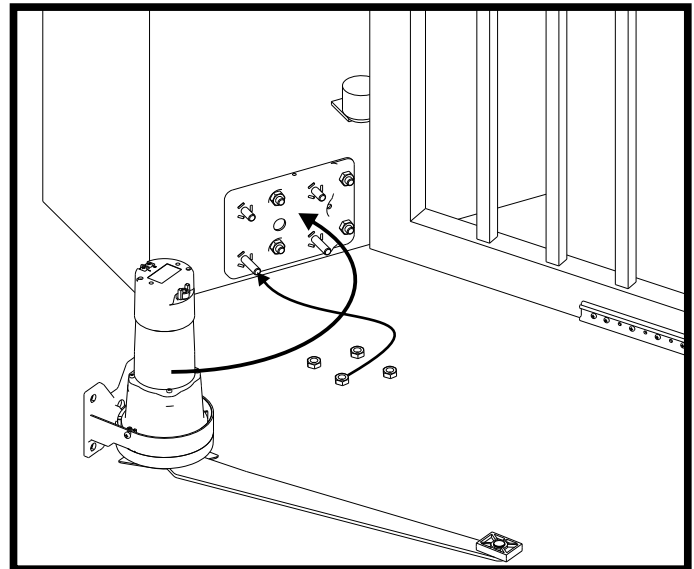
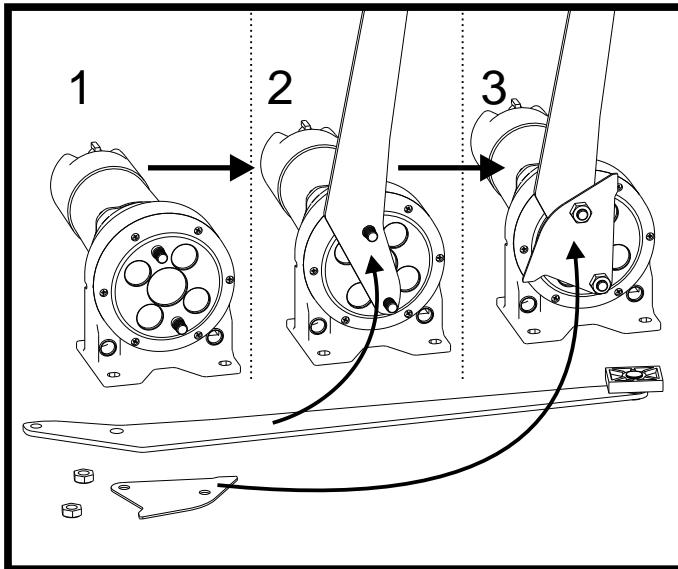
3 Install the wall bracket 安装墙壁托架



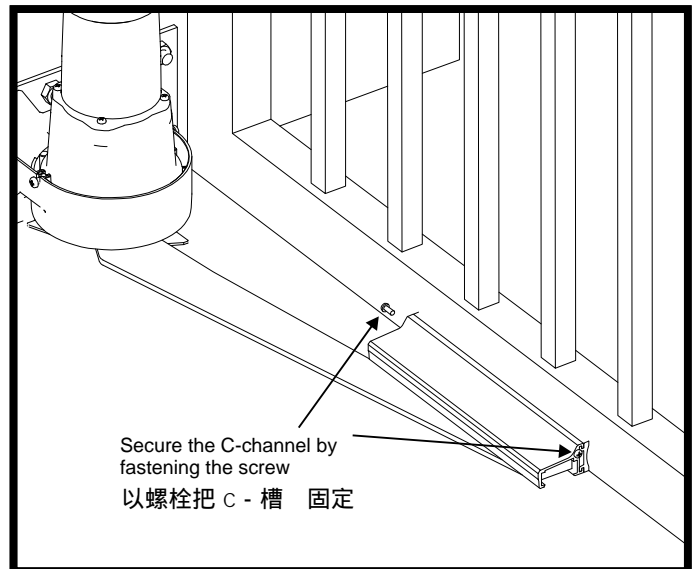
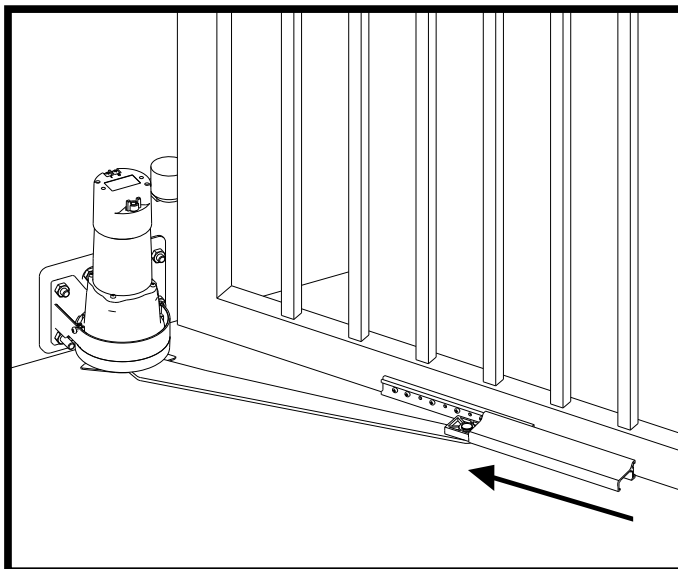
4 Install the wall bracket 安装墙壁托架



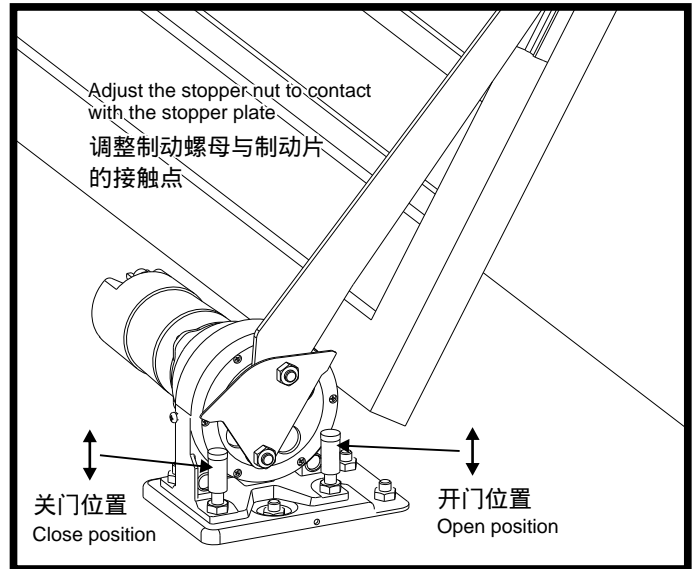
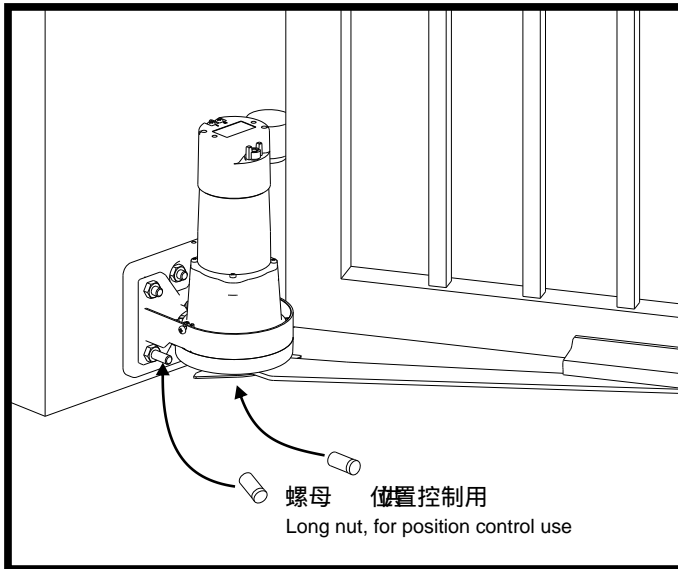
5 Install the motor 安装马达



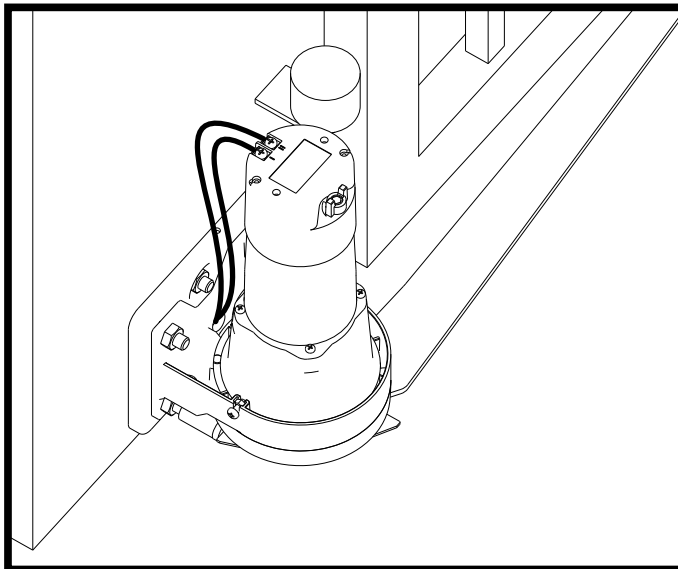
6 Install the motor 安装马达



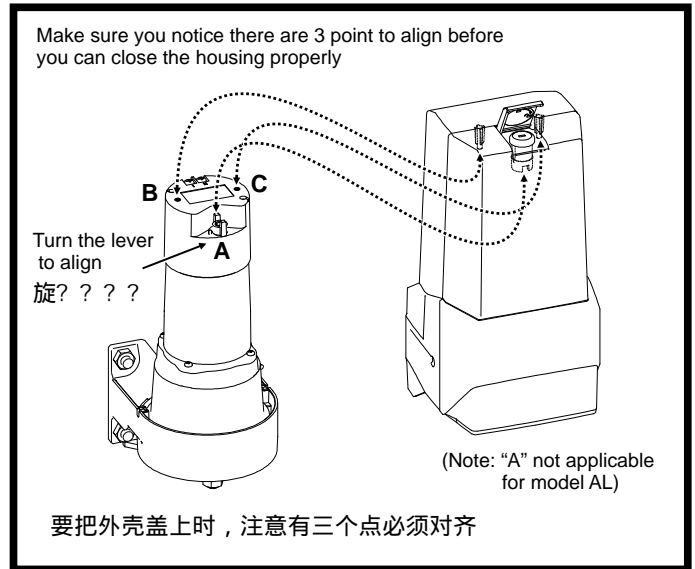
7 Adjust the open and close position 调整开与关的停止位置



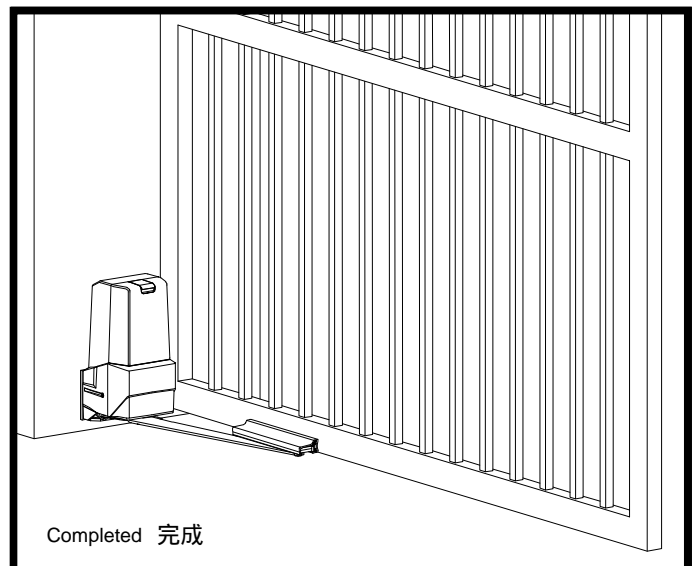
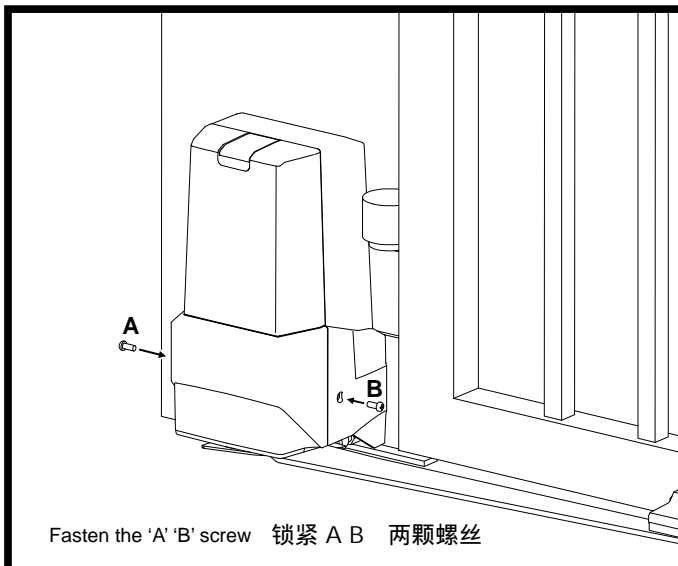
8 Connect the electric cable 将电缆连接上



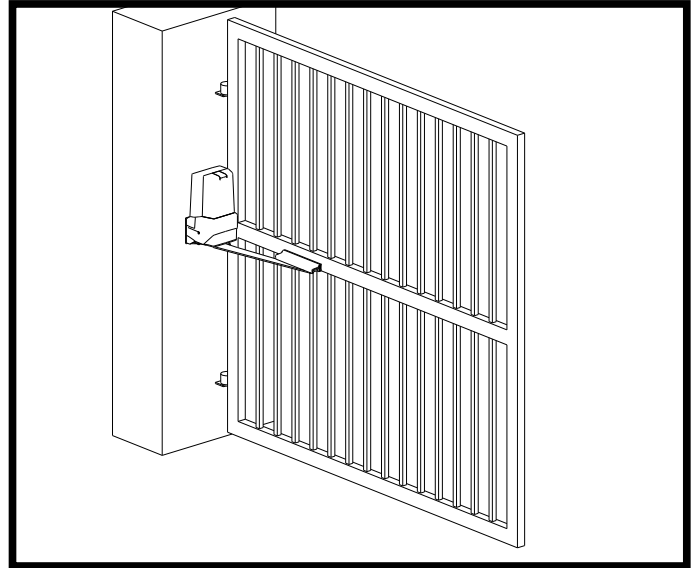
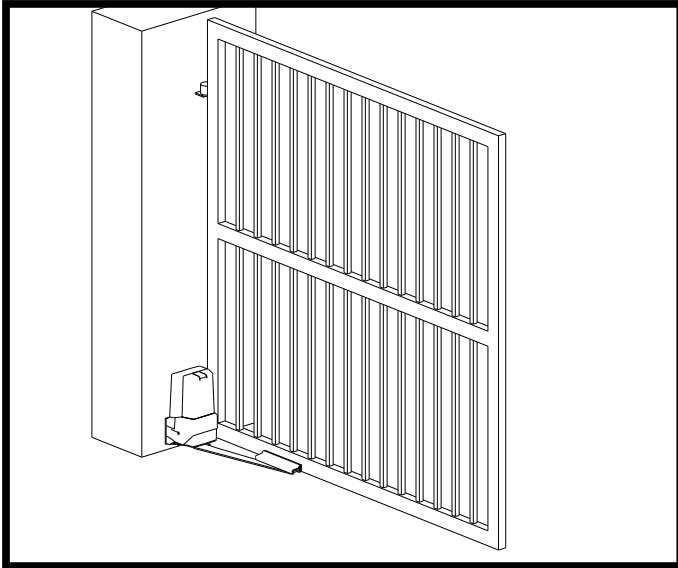
Beware! 注意!



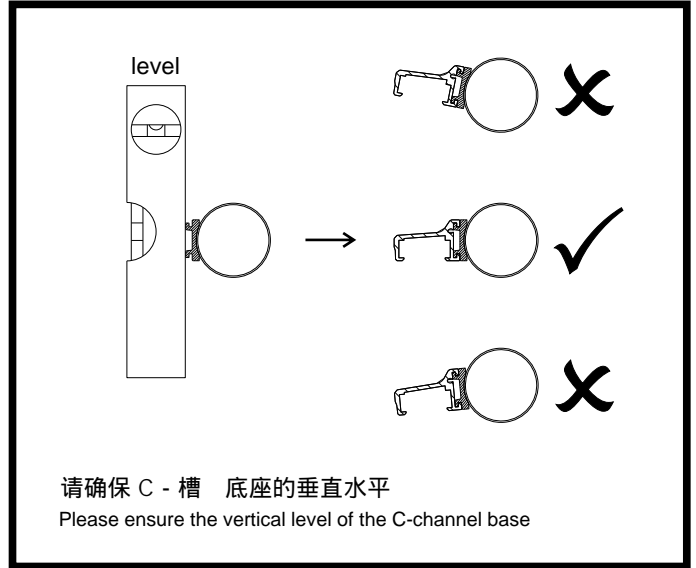
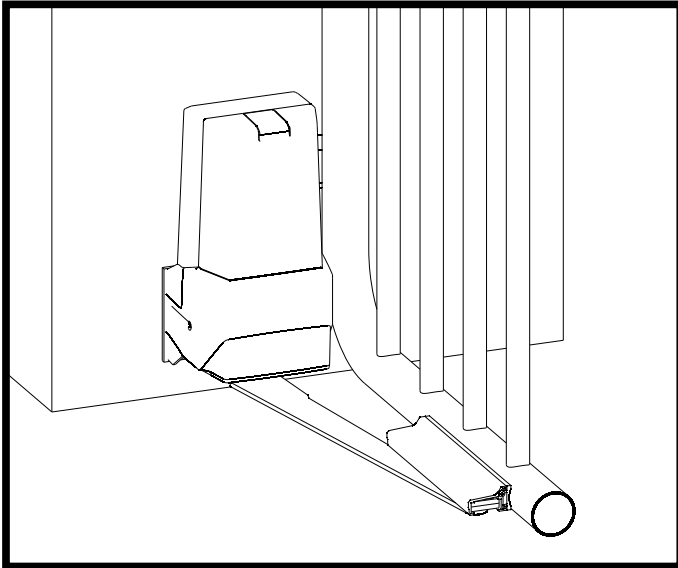
9 Put on the housing 把外壳盖上



* The motor can be installed at any height level 马达可安装於任何高度



** The C-channel can be installed onto a curve surface C - 槽也可以装到弧形表面上



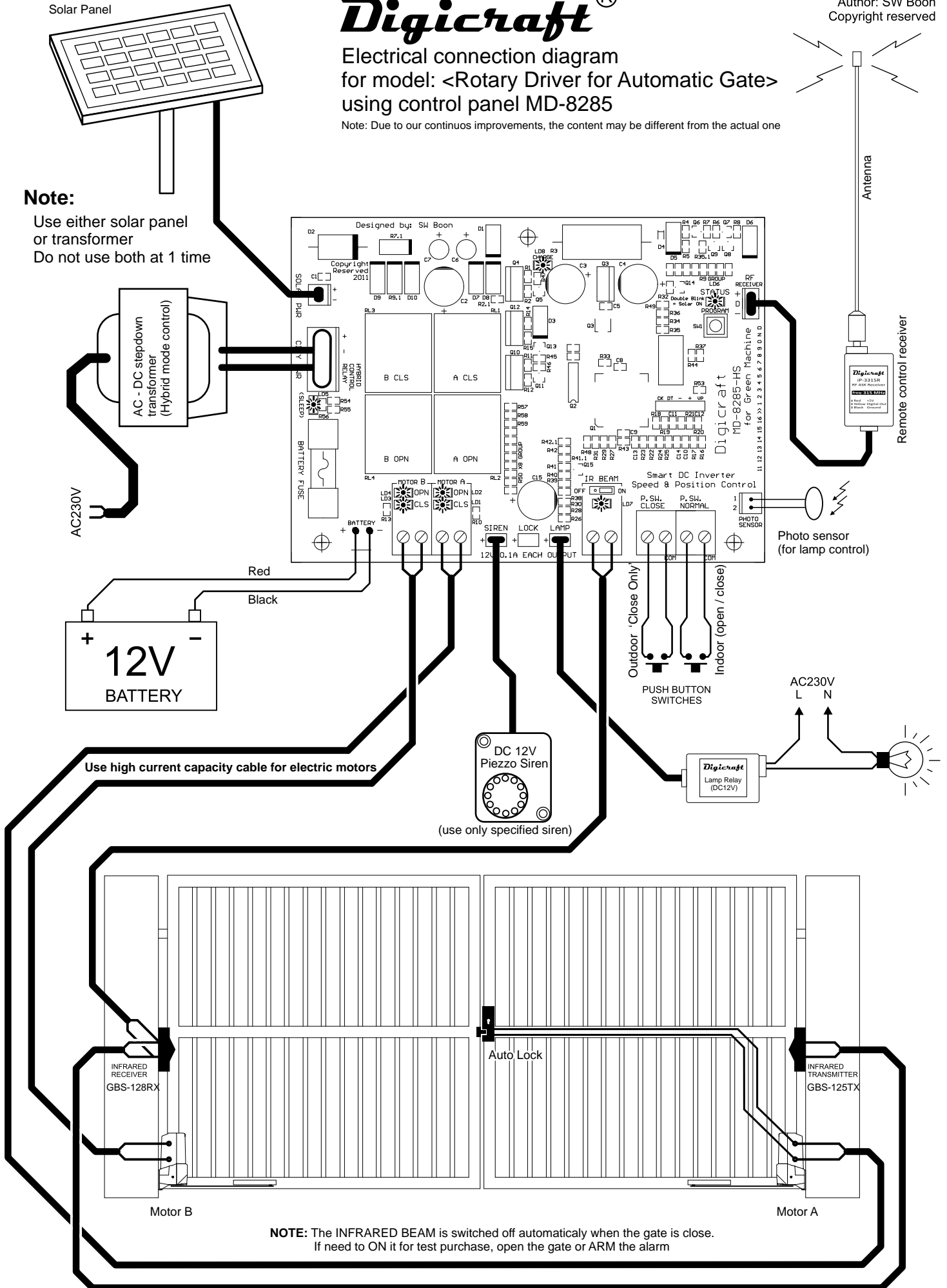
Digicraft®

Electrical connection diagram for model: <Rotary Driver for Automatic Gate> using control panel MD-8285

Note: Due to our continuous improvements, the content may be different from the actual one

Note:

Use either solar panel
 or transformer
 Do not use both at 1 time



Pairing the remote control with the control panel 遥控器与控制板进行配对

